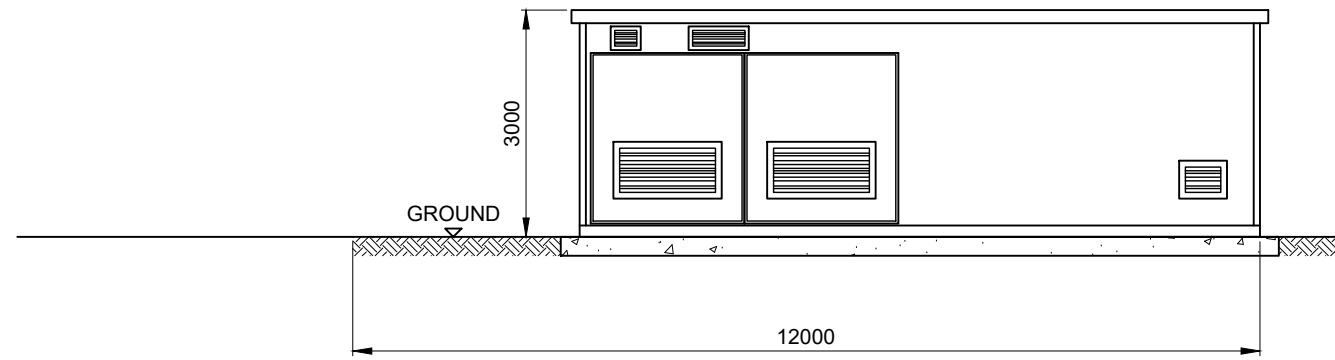
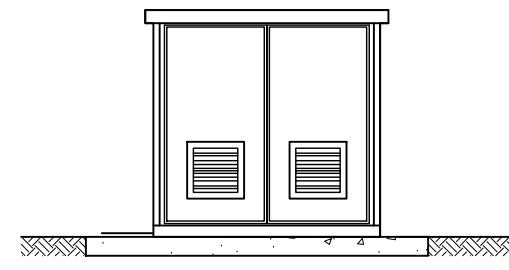


NOTES

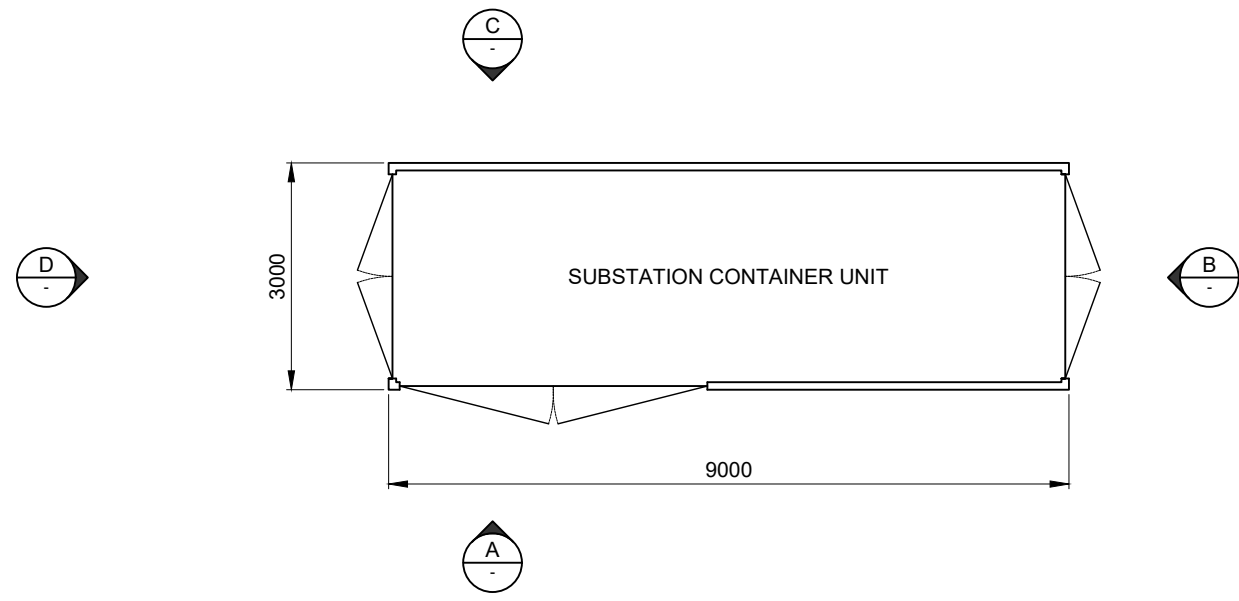
1. ALL DIMENSIONS ARE MAXIMUM ANTICIPATED AND SUBJECT TO DETAILED DESIGN
2. ROOM & DOOR POSITIONS ARE INDICATIVE AND SUBJECT TO DETAILED DESIGN.
3. APPROXIMATE FINISHED FLOOR LEVEL 300mm ABOVE EXISTING GROUND.



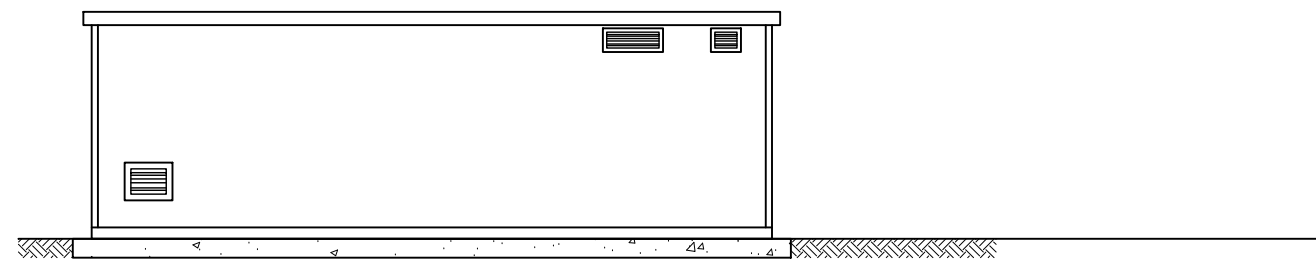
ELEVATION 'A'



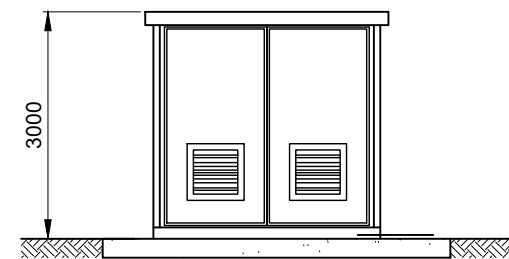
ELEVATION 'B'



PLAN



ELEVATION 'C'



ELEVATION 'D'

1	FG	BD	BD	2022-10-24	First Issue
ISSUE	DRAWN	CHKD	APPD	DATE	REVISION NOTES
PURPOSE					PROJECTION
PERMITTING					
SCALE				DATUM	
1:100 @A3					N/A
LAYOUT DRAWING				T-LAYOUT NO	
N/A					N/A
PROJECT TITLE					
VARLEY FARM SOLAR					
DRAWING TITLE					
FIGURE 11 TYPICAL INVERTER SUBSTATION					

RES DRAWING NUMBER	REV
04886-RES-SOL-DR-PT-002	1

THIS DRAWING IS THE PROPERTY OF RENEWABLE ENERGY SYSTEMS LIMITED AND NO REPRODUCTION MAY BE MADE IN WHOLE OR IN PART WITHOUT PERMISSION



BEAUFORT COURT,
EGG FARM LANE,
KINGS LANGLEY,
HERTS WD4 8LR, UK
TEL +44 (0) 1923 299200
WWW.RES-GROUP.COM